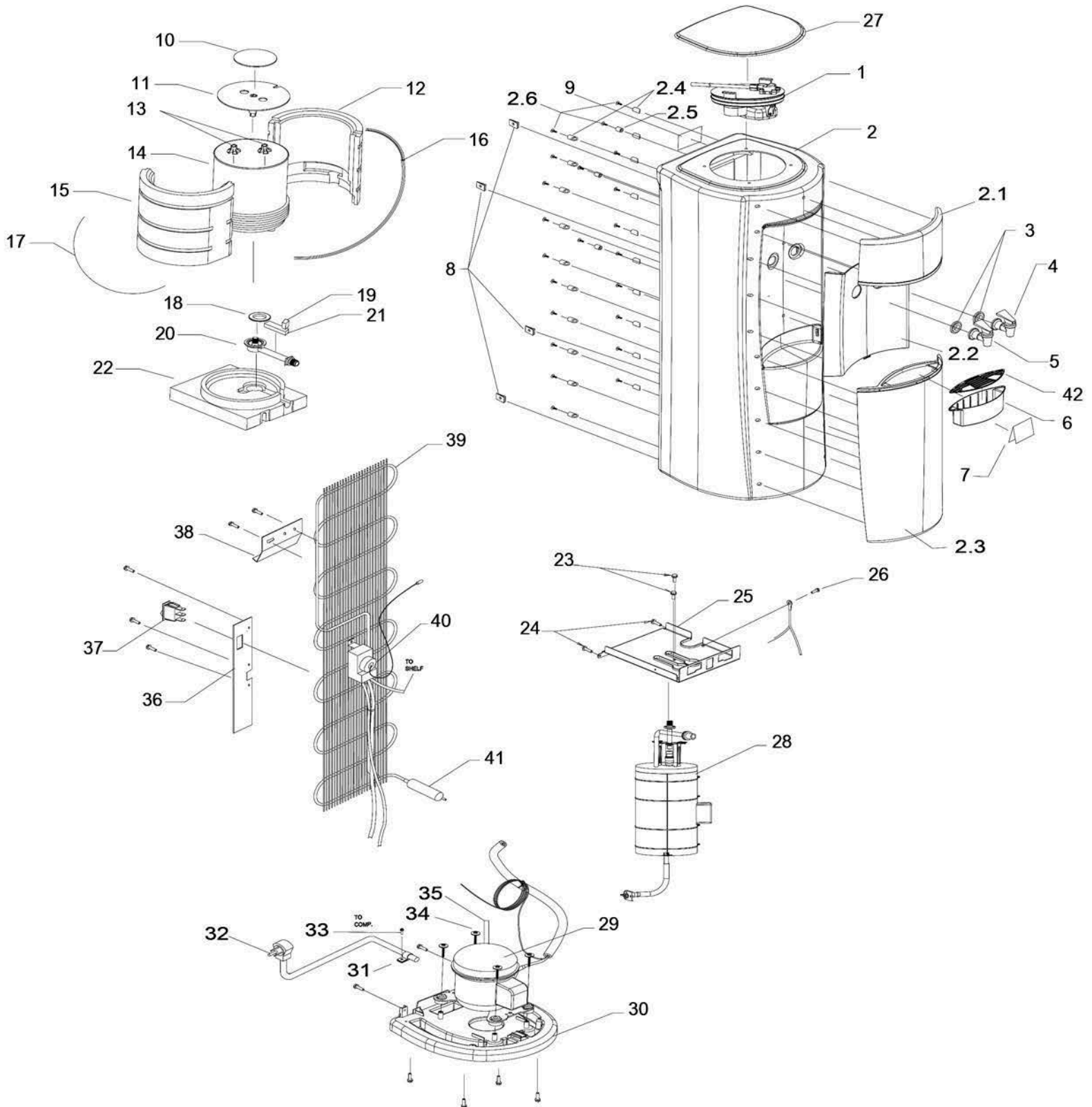




VERTEX
WATER PRODUCTS

EverCool Deluxe exploded view and parts list



EverCool Deluxe exploded view and parts list

No	Description
1	FLOAT KIT (NB) ASSY-SUB1-N1
2	F528LX CABINET
2.1	UP COVER
2.2	CENTER
2.3	BOTTOM COVER
2.4	SPACER SIDE-N
2.5	SPACER CENTER-N
2.6	SPACER SCREW
3	TAP CHASSIS RUBBER
4	SQUARE FAUCET COLD
5	CHILD SQUARE FAUCET HOT
6	F528 WATER BOX
7	FLOAT KIT WARRANTY ANGEL
7	F528 IB (ANGEL)
8	BOTTOM CLIP
9	HARZARD LABEL
10	SMALL PLATE H/C - NATURAL
11	BIG PLATE H/C - NATURAL
12	COOLING TANK POLYFOAM (A)
13	BAFFLE BASE - NATURAL
14	C TANK H/C-ES-LONG CAP -SUB
15	COOLING TANK POLYFOAM (B)
16	CABLE TIE (29 Inch)
17	STRIP WIRE (WHITE)-300M
18	COOLING TANK RUBBER (S/S)
19	WATERWAY COVER SMALL
20	COOLING WATERWAY (2nd Mould)
21	WATERWAY COVER BIG
22	C CHASSIS POLYFOAM (H/C)-ES
23	SPRING WASHER SCREW 3/16*5/88
24	SCREW 4.1 X 15
25	C CHASSIS F528 (GI)
26	S.W. HEAD SCREW 10MM
27	F528 POU COVER
28	HOT TANK 1.2L (ES) ASSY
29	COMP. (115V,60HZ)SB24C50GAU6
	PROTECTOR COVER (SB)
	MOTOR PROTECTOR (302MHBYY)
	PTC RELAY (SB-115V)
	RUBBER GROMMET
30	F528 BOTTOM CHASSIS
31	CLAMPER-AC CORD (L)
32	AC CORD 7FT SJT (UL) 105C-N4
33	SLOTTED HEX SCREW 13MM
34	N.W. SLOTTED HEX SCREW 35MM
35	COPPER TUBE 6 X 0.7 X 100MM
36	SWITCH STEEL PLATE (H/C)
37	SWITCH (RED) SE
38	HANDLE (LC)
39	CONDENSER (LC)
40	COOL THERMOSTAT
41	DRYER
42	DRIP COVER