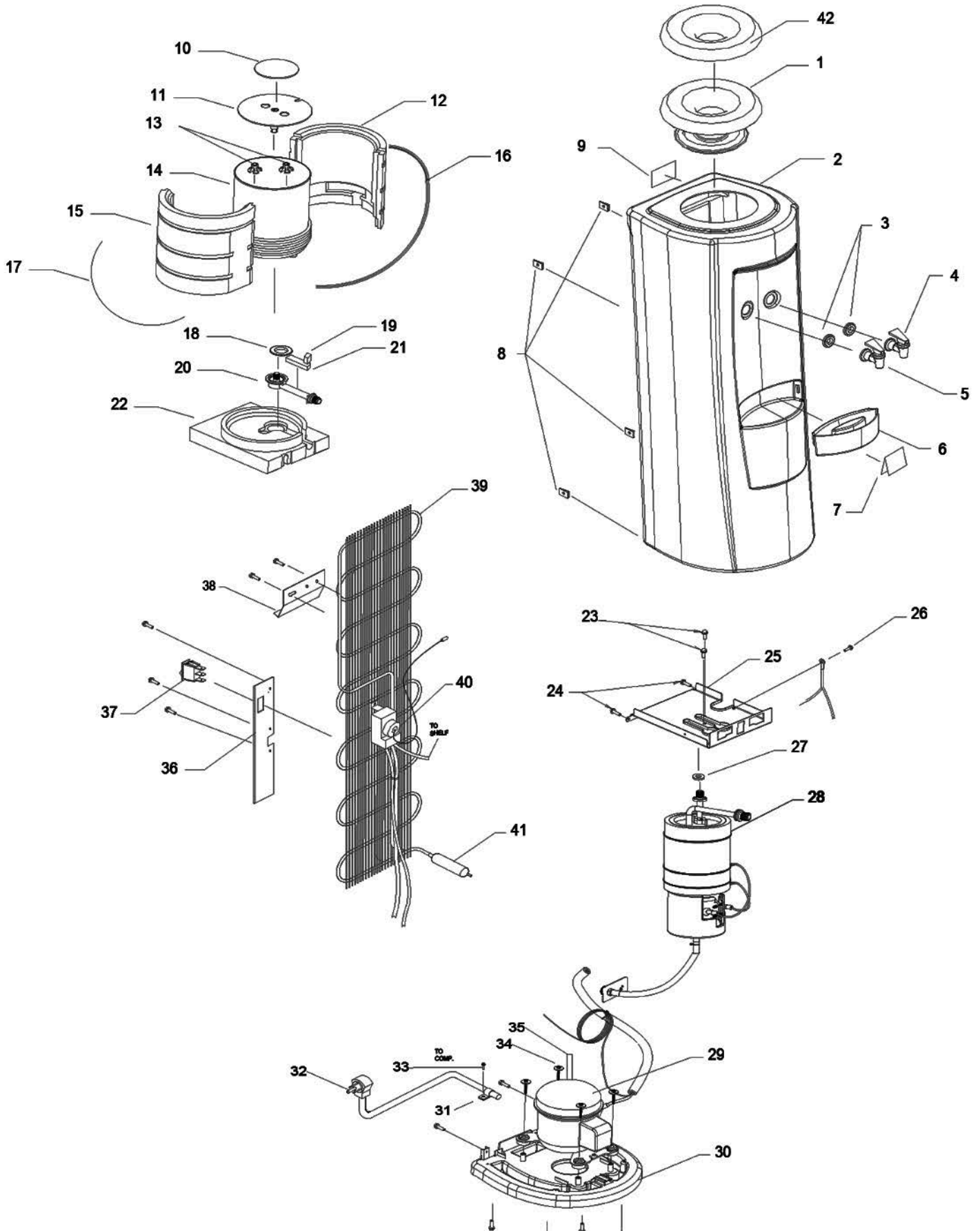




VERTEX
WATER PRODUCTS

EverCool exploded view and parts list



EverCool exploded view and parts list

No	Description
1	NON LEAK EZ FILL ASSY
2	F528 WRAPPER
3	TAP CHASSIS RUBBER
4	SQUARE FAUCET COLD
5	CHILD FAUCET HOT
6	F528 DRIP TRAY
7	F528 IB ES-IGO
8	BOTTOM CLIP
9	HARZARD LABEL
10	SMALL PLATE (ES-WHITE)
11	B-PLATE-H/C-ES
12	COOLING TANK POLYFOAM (A)
13	BAFFLE BASE (NSF)
14	C TANK H/C-ES-LONG CAP -SUB
15	COOLING TANK POLYFOAM (B)
16	CABLE TIE (29 Inch)
17	STRIP WIRE (WHITE)-300M
18	COOLING TANK RUBBER (S/S)
19	WATERWAY COVER SMALL
20	COOLING WATERWAY (2nd Mould)
21	WATERWAY COVER BIG
22	C CHASSIS POLYFOAM (H/C)-ES
23	SPRING WASHER SCREW 3/16*5/88
24	SCREW 16/19 A017
25	C CHASSIS F528 (GI)
26	S.W. HEAD SCREW 10MM
27	S.RUBBER (INLET)
28	H/TANK 1.2L(115V)-ASSY-SUB
29	SAM.COMP CD124C-L1ZA (115V)
	COMBO RELAY CD124C-L1ZA (115V)
	RUBBER GROMMET-SAM
	SAMSUNG COVER CD124
30	F528 BOTTOM CHASSIS
31	CLAMPER-AC CORD (L)
32	AC CORD 7FT SJT (UL) 105C-N4
33	SLOTTED HEX SCREW 13MM
34	N.W. SLOTTED HEX SCREW 35MM
35	COPPER TUBE 6*0.7*150mm
36	SWITCH STEEL PLATE (H/C)
37	SWITCH (RED) SE
38	HANDLE (LC)
39	CONDENSER (LC)
40	COOL THERMOSTAT (RANCO-ITALY)
41	DRYER (LC-KENMORE)
42	EZ FILL LID (PVC)