

PureWaterCooler™

by VERTEX



Work Surface: 29"W x 15"D Cabinet: 16"W x 15"D x 43"H

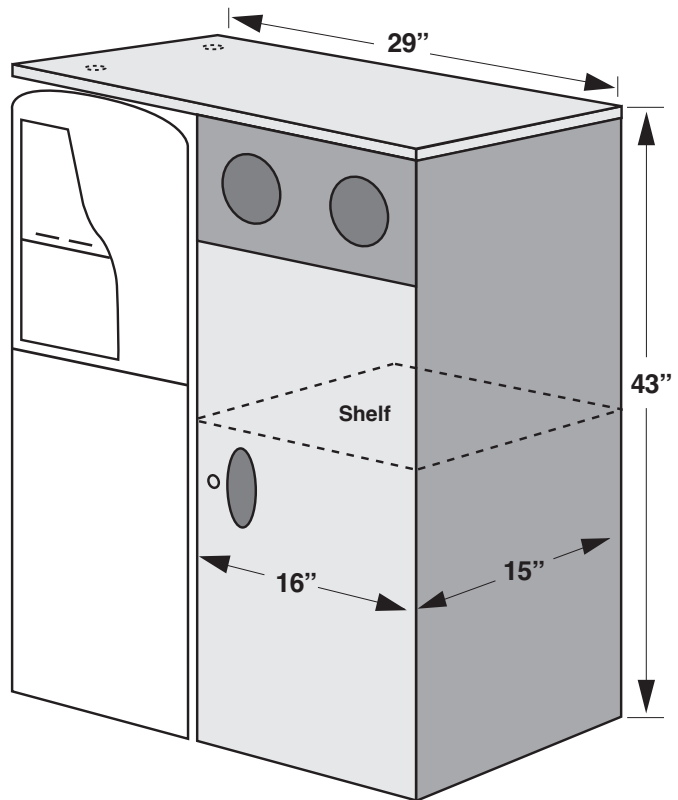
Utility Cabinet and Brewer Stand

Create complete self-service beverage station

Features

- Easily add to existing Vertex coolers
- Locking cabinet for supply storage
- Rugged finish for long life
- Built-In cup holders

Create a self-serve refreshment station for a coffee brewer and a **PureWaterCooler** with this attractive 2-tone cabinet-stand. The sturdy powder coated steel cabinet has a matching ABS plastic work surface that is easy to clean and keep looking like new. The built-in cupholders offer convenience while the locking storage cabinet below can store extra cups, coffee and other sundries.



Requires floor standing cooler to operate. Cooler sold separately.

ORDERING INFORMATION

Utility Cabinet and Coffee Brewer Stand

UC-8061

Specifications: Ships partially assembled. Shipping Weight: 48 lb.
Dimensions: work surface: 29"W x 15"D;
cabinet: 16"W x 15"D x 43"H

Authorized Dealer

