

PureWaterCooler™

by VERTEX

NEW PureChill-9100



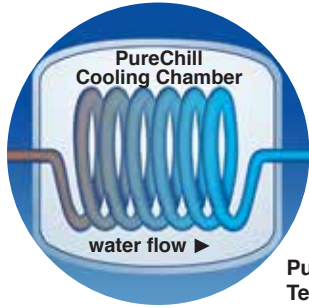
Cleaner. Safer. Better.

The latest addition to the Vertex family of products brings innovation for safer water with less hassle.

The newest VERTEX **PureWaterCooler** uses **PureChill™** Technology to eliminate the need for an open reservoir for cold water storage. The closed system keeps environmental contaminants out so there is no need for costly in-tank sanitization. The water is safely dispensed directly to your cup.



PureChill-9100



PureChill Cooling Technology



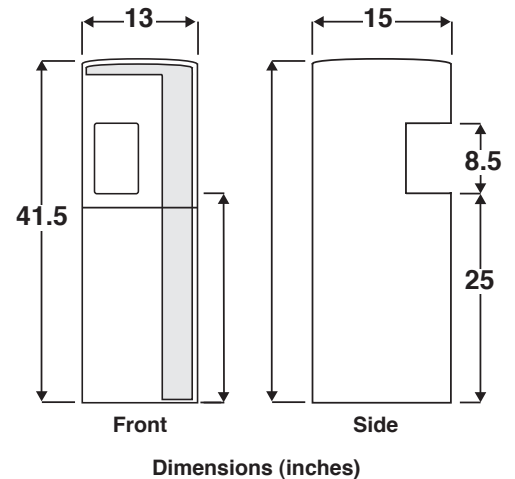
Integrated Filter Monitor



ProTekk Auto-Safety Shut-off valve

Standard Features

- PureChill™ Technology
- No need for expensive UV and Ozone in tank sanitizers
- Integrated Filter Monitor ensures freshly filtered water
- ProTekk™ Auto Safety-Shut-Off Valve provides peace of mind
- Two temperature system
Cold: 37-50° F, Adjustable • Hot: 180° F, Autocontrol
LED indicator for Hot and Cold water on the front panel
- Tall fill opening allows larger cups, mugs or reusable bottles
- Hygienic dispensing touch pad control with no-touch dispensing faucet
- Easy to clean control panel
- Individual on/off control switches for cold and hot water on rear panel
- Standard Dual-Cartridge filtration system
- Filter assembly is front door accessible.
- Attractive LED lighted dispense area
- Award winning design
- 1 year limited warranty
- 3 year compressor warranty



Specifications

Shipping Weight: 60 lb.
 Dimension: 13"W x 15"D x 41.5"H
 Cooling Rate: 2.1 gal/hr 37-50 °F
 Hot tank volume .5 gal
 Heating Rate: 1.3 gal/hr 180 °F
 Voltage: 115 VAC
 Power Required: 600w max

ADA compliant



Filter System

Standard Filter **9100F**
Stage 1: 5 micron Sediment
Stage 2: 10 micron Activated Carbon
 Reverse Osmosis Filter **9100R**
 Above 2 stages plus
Stage 3: 100-GPD RO Membrane
 Automatic tank full control
 Fully assembled

ORDERING

2-Temp Model - 50 GPD Reverse Osmosis	PWC-9100R
2-Temp Model - Standard Filtration	PWC-9100F
2-Temp Model	PWC-9100
Replacement Filters	Sediment TF-4113
	Carbon TF-4115
	RO membrane, 100 GPD MA-4205

Authorized Dealer